



# Blinking Smart Lane Changer Installation Instructions

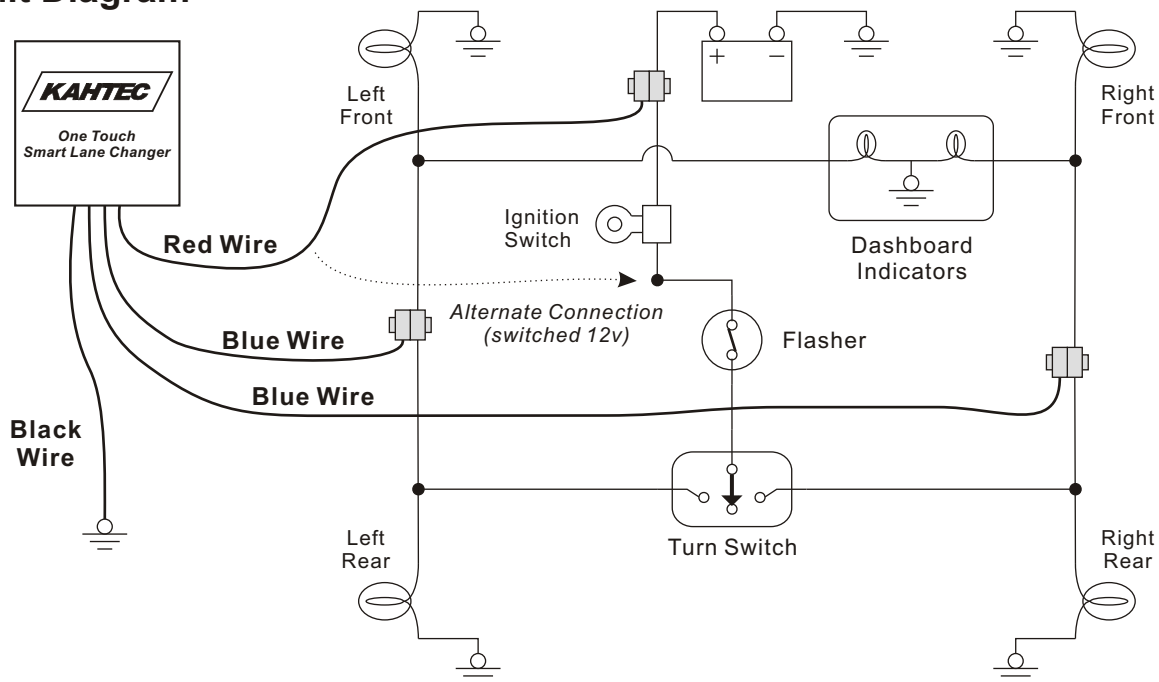
## I. Description

By simply touching your indicator switch up or down Once, Blinking Smart Lane Changer will flash your indicator lights an additional 6 times.

## II. Features

- Size: 2" x 2" x 0.75" (51mm x 51mm x 19mm)
- Operating Voltage: 12 Volts DC
- Operating Temp: -30°C to +70°C
- Max Power Consumption: 1.6W

## III. Circuit Diagram



## IV. Installation

**Note: DO NOT cut existing wires.**

- 1) Locate access to the left and right turn indicator wires. The easiest way to access them is from where you change the existing bulbs.
- 2) Locate where you have access to a 12 volt power source. If you plan to connect to a switched 12 volts, this can be done at any 12 volt connection controlled by the ignition switch, such as the one that goes to the radio or cigarette lighter.
- 3) Place a "Quick Connect" connector over left indicator wire and insert one Blue wire. Using the pliers, squeeze the metal splice to secure the wires and then snap the cover closed.
- 4) Place a "Quick Connect" connector over right indicator wire and insert the second Blue wire. Using the pliers, squeeze the metal splice to secure the wires and then snap the cover closed.
- 5) Attach the Black wire to ANY chassis ground connection. Use a "Quick Connect" connector to attach to an existing ground wire.
- 6) Place a "Quick Connect" connector over 12 Volt connection and insert Red wire. Squeeze and snap as in steps 3 and 4.