



Blinking Smart Lane Changer Plus Installation Instructions

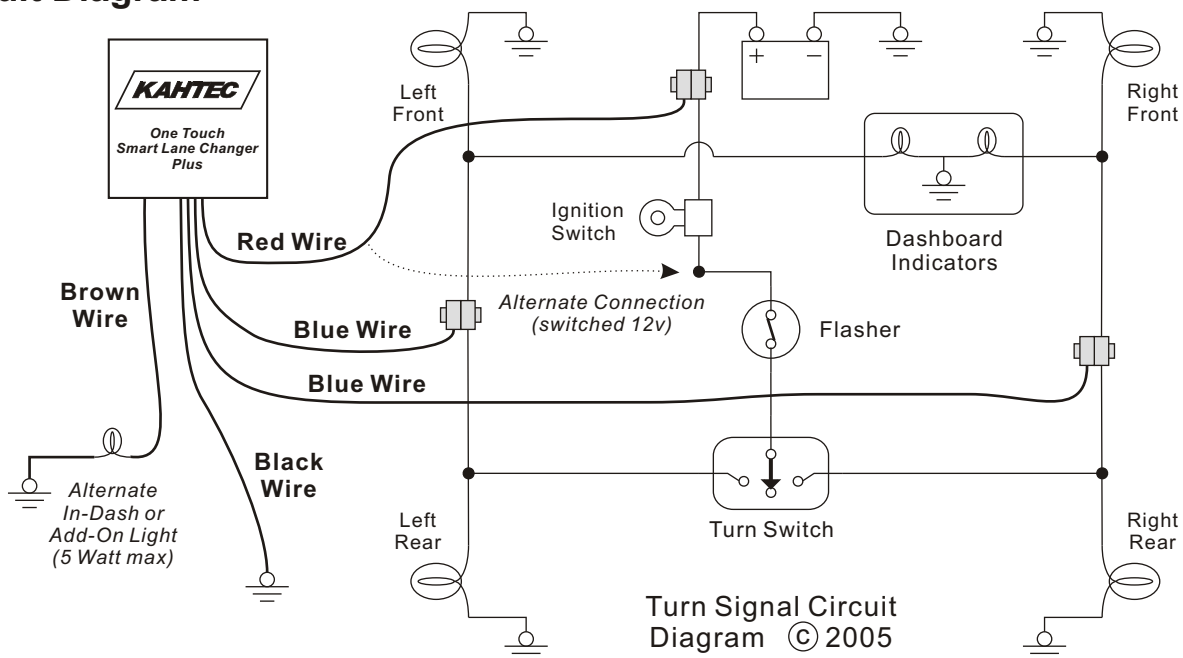
I. Description

By simply touching your indicator switch up or down Once, Blinking Smart Lane Changer will flash your indicator lights an additional 6 times. For use on automobiles that only have a single dashboard turn signal indicator light, the Plus version provides an Activity Output used to flash an alternate light to show when the One Touch Lane Changer has been activated.

II. Features

- Size: 2" x 2" x 0.75" (51mm x 51mm x 19mm)
- Operating Voltage: 12 Volts DC
- Operating Temp: -30°C to +70°C
- Max Power Consumption: 1.6W

III. Circuit Diagram



IV. Installation

Note: DO NOT cut existing wires.

- 1) Locate access to the left and right turn indicator wires. The easiest way to access them is from where you change the existing bulbs.
- 2) Locate where you have access to a 12 volt power source. If you plan to connect to a switched 12 volts, this can be done at any 12 volt connection controlled by the ignition switch, such as the one that goes to the radio or cigarette lighter.
- 3) Place a "Quick Connect" connector over left indicator wire and insert one Blue wire. Using the pliers, squeeze the metal splice to secure the wires and then snap the cover closed.
- 4) Place a "Quick Connect" connector over right indicator wire and insert the second Blue wire. Using the pliers, squeeze the metal splice to secure the wires and then snap the cover closed.
- 5) Attach the Black wire to ANY chassis ground connection. Use a "Quick Connect" connector to attach to an existing ground wire.
- 6) Place a "Quick Connect" connector over 12 Volt connection and insert Red wire. Squeeze and snap as in steps 3 and 4.
- 7) Select an available alternate in-dash light or mount an external add-on light that will be used to show when the One Touch Lane Changer has been activated.
- 8) Connect Brown wire to the plus (+) side of this alternate and then make sure that the minus (-) side has been connected to ground.